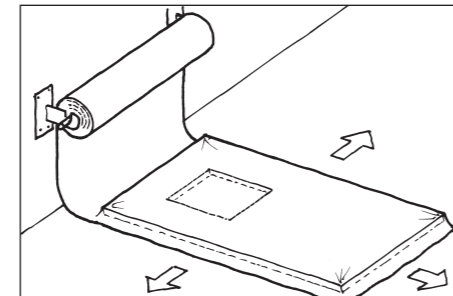
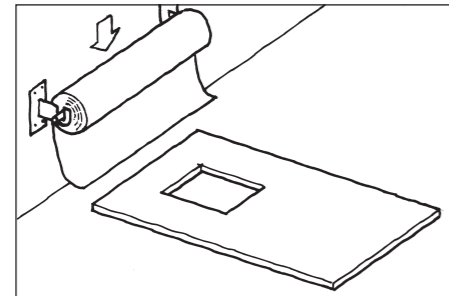


FIXING INSTRUCTIONS - PROTECT TF200 THERMO

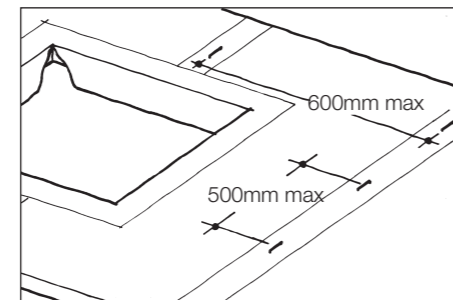
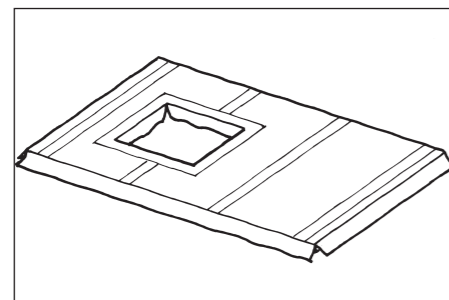
Factory fixing

1. Attach roll to holder



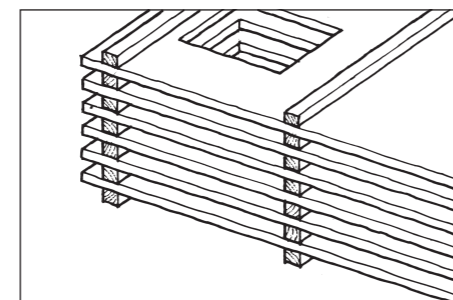
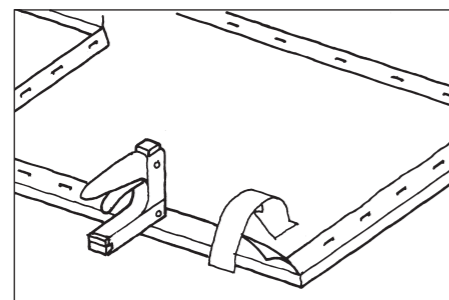
2. Pull membrane taut over panel with reflective surface uppermost (facing into cavity)

3. Mark out stud positions for wall tie fixings



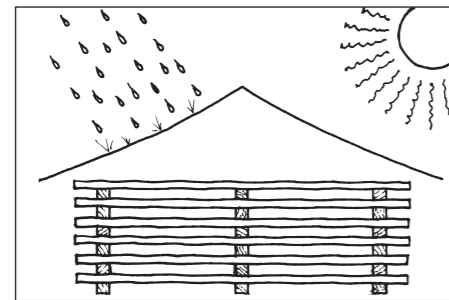
4. Secure membrane to sheathing with austenitic stainless steel staples at 500mm centres vertically and 600mm horizontally

5. Fold back laps and staple to sheathing



6. Store panels horizontally on battens to provide air space

7. Protect stored panels from weather



Other products purchased with this membrane:

Reflective Single-sided Reinforced Tape, Reveal Tape, Double-sided Tape, Reinforced Universal Tape.

GENERAL

Protect TF200 Thermo must not be exposed to continuous working temperatures in excess of 80°C, such as in direct contact with hot pipes, flues or electric heating cables.

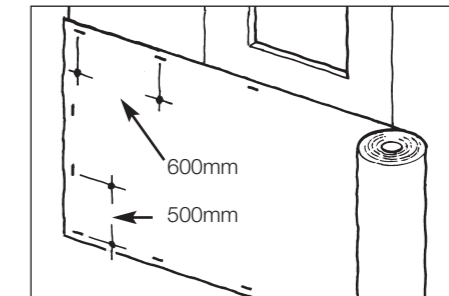
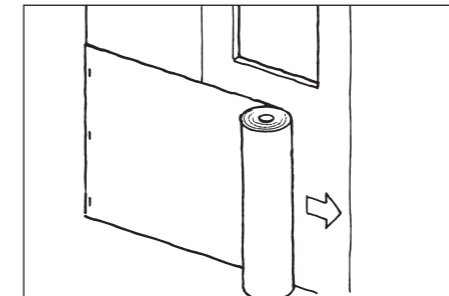
In accordance with good building practice, this product should be covered as soon as possible after installation and preferably not more than 12 weeks after initial exposure. If the exposure period is exceeded then advice must be sought from the Glidevale Protect Technical department.

No maintenance of Protect TF200 Thermo is necessary once installed but it is important that the surface of the product remains clean during the installation process otherwise the thermal performance may be impaired.

Protect TF200 Thermo is for use in timber frame construction on the COLD side of the insulation.

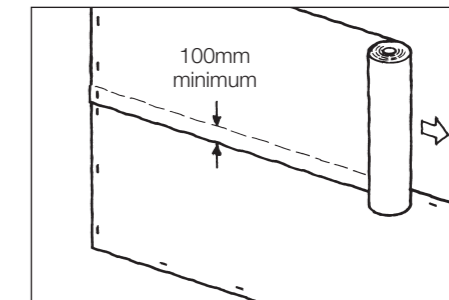
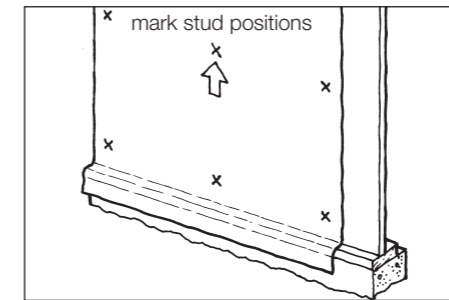
Site fixing

1. Unroll across sheathing parallel to sole plate with reflective surface outermost



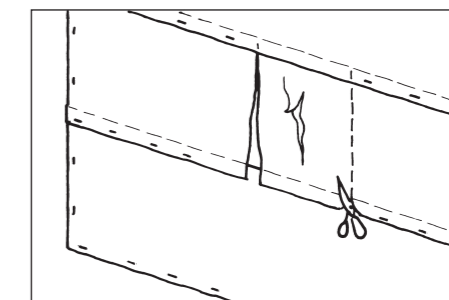
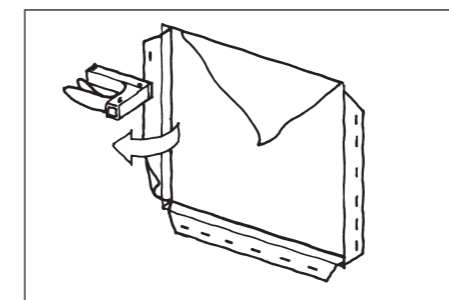
2. Secure membrane to sheathing with austenitic stainless steel staples at 500mm centres vertically and 600mm horizontally

3. Ensure lowest timbers in wall are protected



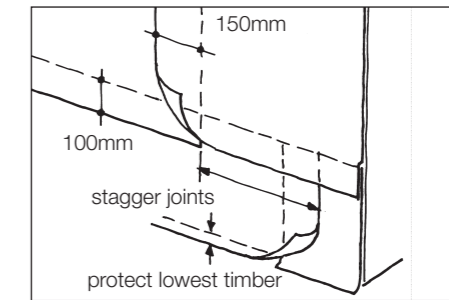
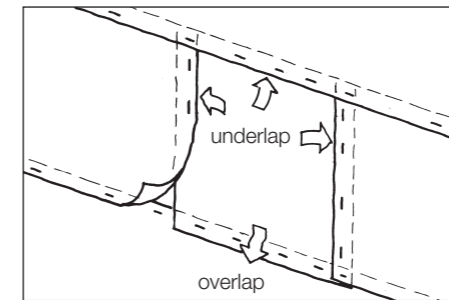
4. Fix second layer and repeat up to roof abutment

5. Dress into door and window recesses and fix with staples



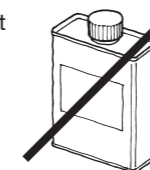
6. Replace damaged and torn membrane

7. Fix patch to shed water away from sheathing



8. Lap membrane correctly

Do not use in direct contact with organic solvents



For technical advice telephone +44 (0)161 905 5700